

**INVITATION
TO BID**

BID DATE: 04/19/18

PLEASE REFER TO BID NO. 2018-061

**QUOTE NOT LATER THAN: 05/2/2018 BY 4:00 PM
(EST)**

TO:
VENDOR NAME:
ADDRESS:

CONTACT:
TELEPHONE #:
EMAIL:

FROM:
PURCHASING DEPARTMENT
COUNTY OF BERRIEN, MICHIGAN
ADMINISTRATION CENTER
701 MAIN STREET
ST. JOSEPH, MICHIGAN 49085
FAX #: 269-982-8668

PLEASE INDICATE “BID NO. 2018-061” ON OUTSIDE OF SEALED ENVELOPE TO INSURE PROPER BID PLACEMENT. DELIVERY REQUIREMENTS: AS PER SPECIFICATIONS

The Berrien County Board of Commissioners reserves the right to reject any and all bids or make any deviations deemed in the best interest of Berrien County.

Quality: All materials/services furnished must be the best of their respective kinds (unless otherwise specified) and will be subject to our inspection and approval after delivery. If materials are rejected it will be held for disposition at your risk and expense.

QUANTITY	DESCRIPTION	UNIT PRICE	TOTAL
1	<p><u>REQUEST FOR BID ON THE FOLLOWING:</u></p> <p>LOUISE LANE HMA OVERLAY</p> <p>PLEASE SEE ATTACHED SPECIFICATIONS</p> <p><u>TOTAL COST OF PROJECT :</u></p> <p><u>PLEASE SEND TWO (2) COPIES OF BID PROPOSAL</u></p> <p>PURSUANT TO MICHIGAN PUBLIC ACT 517 OF 2012, AN IRAN-LINKED BUSINESS IS NOT ELIGIBLE TO SUBMIT A BID FOR THIS RFP. FURTHER, EACH BID SUBMISSION <u>MUST</u> INCLUDE WRITTEN CERTIFICATION BY THE BIDDER THAT THE BIDDER IS NOT AN IRAN LINKED BUSINESS (SEE ATTACHED FORM). A</p>		

QUANTITY	DESCRIPTION	UNIT PRICE	TOTAL
	<p>BID SUBMISSION WITHOUT THE REQUIRED WRITTEN CERTIFICATION MAY BE REJECTED AS INCOMPLETE AND VIOLATIVE OF LAW. A SUSTAINED DETERMINATION BY THE COUNTY THAT A BIDDER HAS SUBMITTED A FALSE CERTIFICATION OF BEING AN IRAN LINKED BUSINESS MAY RESULT IN THE CANCELLATION OF AN EXISTING CONTRACT, A CANCELLATION OF INTENT TO ENTER INTO A NEW CONTRACT, AND/OR REPORTING OF THE BIDDER TO THE STATE ATTORNEY GENERAL, AND POSSIBLE FINES AND COSTS, AND BAR FROM FURTHER BIDDING ON COUNTY RFP'S FOR AN ADDITIONAL 3 YEARS, AS PROVIDED UNDER P.A. 517 OF 2012.</p> <p>MEMBER OF HPS (HOSPITAL PURCHASING SERVICES), STATE OF MICHIGAN MIDEAL PURCHASING PROGRAM, AND NATIONAL JOINT POWERS ALLIANCE</p> <p>ANY QUESTIONS REGARDING BID SPECIFICATIONS, PLEASE CONTACT JON GRECO AT 269-925-1196 EXT. 4423 OR jgreco@bcroad.org</p> <p>ALL OTHER QUESTIONS REGARDING THE BID PROCESS, PLEASE CONTACT THE PURCHASING DEPT. AT 269-983-7111 EXT. 8020</p>		

Cheri Vance

CHERI VANCE
ACCOUNTING COORDINATOR
PHONE: 269-983-7111 EXT. 8020
(cvance@berriencounty.org)

BIDDERS NAME: _____

BIDDERS PHONE NUMBER: _____

BID DATE: _____

BERRIEN COUNTY ROAD DEPARTMENT

**PROPOSAL AND SPECIFICATION FOR
LOUISE LANE HMA OVERLAY**

BERRIEN COUNTY ROAD DEPARTMENT

PROGRESS CLAUSE: Start work within ten (10) days after receiving notice of award of contract or on the date agreed upon by the Engineer. In no case shall any work be commenced prior to receipt of a formal notice of award by the Road Department.

This Contract shall be completed in 5 working days. Working days will be charged starting on that date that the work is started or the date agreed. The project shall be complete by **OCTOBER 26, 2018**.

The low bidder(s) for the work covered by this proposal will be required to meet with Road Department representatives to work out a detailed Progress Schedule. The schedule for this meeting will be set within one week after the low bidder(s) is determined.

The named subcontractor(s) for Designated and/or Specialty Items, as shown on the proposal, is recommended to be at the scheduled meeting if such items materially affect the work schedule.

The Project Engineer will arrange the time and place for the meeting.

The Progress Schedule shall include, as a minimum, the controlling work items for the completion of the project and the planned dates (or work day for a work day project) that these work items will be controlling operations. When specified in the bidding proposal, the date the project is to be opened to traffic as well as the final project completion date shall also be included in the Progress Schedule.

If the bidding proposal specifies other controlling dates, these shall also be included in the Progress Schedule.

Failure on the part of the contractor to carry out the provision of the Progress Schedule, as established, may be considered sufficient cause to prevent bidding future projects until a satisfactory rate of progress is again established.

BCRC/JJG

BERRIEN COUNTY ROAD DEPARTMENT

GENERAL SPECIFICATIONS

Except as hereinafter provided by Supplemental Specifications or Special Provisions, the method and manner of performing the work and the quantity and quality of materials to be furnished under this contract shall be in strict accordance with the current Standard Specifications for Construction of the Michigan Department of Transportation and the current edition of the Michigan Manual of Uniform Traffic Control Devices.

SUPPLEMENTAL SPECIFICATIONS

101.02 Definitions:

Commission - The Board of County Commissioners of the County of Berrien, Michigan.

103.02 Changes in Work

Adjustable Items - This Contract contains no adjustable item; therefore, no adjustments in unit prices for increased or decreased quantities will be allowed.

107.10 Owners Protective Liability Policy covering bodily injury and property damage protection shall be furnished to the Department.

108.02 Prosecution of the Work - The Contractor shall begin the work within ten (10) days after being notified by the Department to do so, unless this is inconsistent with the progress clause, with full force and equipment adequate to complete the sections within the time limit therein fixed for completion. In case of failure to proceed with the work as rapidly as is provided in the progress clause, or if it appears at any time that such work is not being prosecuted in such a manner as to insure its completion within time specified, the Department shall have the right to require the force and equipment as the Department shall deem necessary to bring the work up to the progress schedule; and in case of the Contractor's neglect to do so, the Department may place such working force and equipment on the work and charge the Contractor the cost of labor and such rental and depreciation rates for the plant and equipment as in its judgment is reasonable, and for such time as the plant and equipment are in service.

109.06 Partial Payment - PAYMENT WILL BE MADE IN FULL IN NOT MORE THAN THREE (3) PARTIAL PAYMENTS, SUCH PAYMENT TO BE MADE on the basis of ninety percent (90%) of the value of the work done, provided the work is progressing satisfactorily and the orders of the engineer have been complied with and provided that the date for completion, or date granted as extension, has not passed, and provided that the amount is at least \$2,000.00.

BERRIEN COUNTY ROAD DEPARTMENT

SUPPLEMENTAL SPECIFICATIONS (CONT'D)

1. CANCELLATION OF CONTRACT PROVISIONS:

The Board shall have the right to cancel the Contract for non-performance. Should an inspection by the Board's designated representative reveal that the Contractor's work results in any non-acceptable maintenance condition of one or all specified areas;

The Board's designated representative at the time of the first circumstance shall call for a meeting with the Contractor to insure no misunderstanding on the issues involved.

If the condition should repeat itself a second time, the Board's designated representative shall call for another meeting with the Contractor and issue a written warning of possible Contract termination should the condition continue.

If the condition should repeat itself a third time, the Board's designated representative shall call for another meeting with the Contractor and issue a written Notice of Contract Termination.

2. Submission of bid will be construed as a conclusive presumption that the Contractor is thoroughly familiar with the bid requirements and specifications and that he/she understands and agrees to abide by each and all stipulations and requirements contained therein.
3. The Contractor, his/her employees, agent, and representatives shall conduct themselves in a manner which is conducive to good public relations. They shall display proper respect to the Board, the general public, and surrounding property owners as is applicable.
4. Neither the Contractor nor his/her Subcontractors shall discriminate against any employee or applicant for employment, to be employed in the performance of this Contract, with respect his/her hire, tenure, terms, conditions or privileges of employment, of any matter directly or indirectly related to employment because of his/her race, color, religion, national origin, or ancestry. Breach of this covenant may be regarded as a material breach of the Contract.

BID BOND

A Certified Check or Cashier's Check or Bid Bond in the amount of not less than five (5) percent of the bid made payable to the Berrien County Road Department shall accompany this proposal as a guarantee of good faith.

BERRIEN COUNTY ROAD DEPARTMENT

TITLE VI

“The Berrien County Road Department, in accordance with Title VI of Civil Rights Act of 1964, 78 Stat. 252, 42 USC 2000d to 2000d-4 an Title 49, Code of Federal Regulations, Department of Federally-assisted programs of the Department of Transportation issued pursuant to such Act, hereby notifies all bidders that it will affirmatively insure that in any contract entered into pursuant to this advertisement, minority business enterprises will be afforded full opportunity to submit bids in response to this invitation and will not be discriminated against on the grounds of gender, disability, race, color, or national origin in consideration for an award”.

BERRIEN COUNTY ROAD DEPARTMENT

NOTICE TO BIDDERS

TESTING OF MATERIALS

All materials must be tested and approved in accordance with Section 105 of the 2012 Standard Specifications, or as provided herein, before they enter into the construction of the project. Testing may be performed by the Local Agency or a Commercial Testing Company. Cost of the testing shall be the responsibility of the Local Agency and may be eligible for federal participation.

INSURANCE

The Contractor shall provide for an in behalf of the State, the Department, its employees, and all agencies specifically named below and their interests may appear, Owner's Protective Public Liability Insurance. Such insurance shall provide coverage and limits the same as the Contractor's Public Liability Insurance.

The agencies are the Board of County Commissioners of The County of Berrien, and the Berrien County Road Department.

BERRIEN COUNTY ROAD DEPARTMENT

PROJECT SPECIFICATIONS FOR SPECIAL PROVISIONS

GENERAL

The Standard Specifications for Construction (Standard Specifications) adopted in 2012 by the Michigan Department of Transportation, are hereby incorporated into these contract documents. Copies of these standards are available for inspection at the office of the Engineer. All construction included in this project shall be done in accordance with the Standard Specifications, as modified by these project specifications and special provisions, or as modified by plan notes. Where notes on the plans are in conflict with the standard specifications or there are special provisions, the plan notes shall control.

CONTRACT REQUIREMENTS AND COVENANTS

Where the contract requirements in these Contract Documents conflict with the contract requirements specified in Division 1 of the standard specifications, the contract requirements in these contract documents shall control.

SPECIAL PROVISIONS

The special provisions, which follow, shall modify the standard specifications for the items indicated.

BERRIEN COUNTY ROAD DEPARTMENT

SPECIAL PROVISION HMA APPLICATION ESTIMATE SHEET 1 OF 1

BCRC/JJG

01/11/18

The yield for the proposed HMA, 5E1 is 165 pounds per square yard.

The yield for the proposed HMA, Approach is 165 pounds per square yard. HMA, 5E1 material to be used for HMA, Approach

The Asphaltic Cement for the mixture shall be performance grade 58-28.

The Bond Coat Material shall be SS-1h. The application rate shall be 0.05 to 0.15 gallons per square yard as directed by the Engineer. The Bond Coat shall not be a pay item.

The Aggregate Wear Index (AWI) number required for the aggregate used in production of the HMA mixture used in the top source of the traveled way shall be 220 minimum.

ROLLING

The Nuclear Gauge Method for testing compaction is hereby waived for this project. Acceptance will be given by performing Rolling operations on each course of HMA according to the following table.

NUMBER OF ROLLERS REQUIRED BASED ON PLACEMENT RATE

Average Laydown Rate, Square Yards Per Hour	Number of Rollers Compaction Rollers	Required Finish Rollers
Less than 675	1	1*
675-1500	1	1
1500-3400	2	1
3400-6000	3	1

*The compaction roller may be used as the finish roller also.

MEASUREMENT AND PAYMENT

Measurement and Payment shall be at the contract unit price per ton.

BERRIEN COUNTY ROAD DEPARTMENT

SPECIAL PROVISION

FOR

PAVT FOR BUTT JOINTS, REM, MOD.

Page 1 of 1

BCRC/JJG

01/11/18

DESCRIPTION

This work consists of a butt joint along existing curbs, across existing drives, intersections, and at other locations as directed by the Engineer in accordance with Section 501 of the MDOT 2012 Standard Specifications except as modified herein.

In general, butt joint will be constructed across existing HMA drives and the ends of concrete drives at a distance of approximately 6 feet from the edge of the proposed pavement, with the pavement grade tapering uniformly from 2 inches deep at the butt joint to 0 inches at the edge of pavement, unless directed otherwise by the Engineer.

Butt joints along existing curbs or gutter pans, and other located as directed by the engineer, shall taper uniformly from 2 inches deep at the edge of the gutter pan or curb to 0 inches at a point approximately 6 feet from the edge of the pavement.

Construction of butt joints across existing roadways, and at other locations as directed by the Engineer shall be in accordance with Section 501 of the MDOT 2012 Standard Specifications. Payment for this work will be included in the price bid for Pavn, for Butt Joints, Rem, Mod.

CONSTRUCTION METHODS

Construction Methods shall be in accordance with Section 501 of the MDOT 2012 Standard Specifications except as modified herein.

MEASUREMENT AND PAYMENT

PAY ITEM

UNIT

Pavn for Butt Joints, Rem, Mod.

Square Yard

Pavn removed will be measured in place prior to removal in square yards.

BERRIEN COUNTY ROAD DEPARTMENT

SPECIAL PROVISION FOR MAINTAINING TRAFFIC 1 OF 2

BCRC/BQB

01/25/17

GENERAL REQUIREMENTS

Traffic shall be maintained by the Contractor throughout the project in accordance with the requirements of Sections 104.11, 812 and 922 of the 2012 MDOT Standard Specifications for Construction and as herein specified. The Contractor is advised that the 2011 Edition, as amended, of the Michigan Manual of Uniform Traffic Control Devices is hereby established as governing all work in connection with traffic control devices, barricade lighting, etc., required on this project. The Contractor shall coordinate this work with other contractors performing work within the construction influence area or adjoining areas to avoid conflicts in the maintenance of traffic, construction signing and the orderly progress of work.

The Contractor shall furnish, erect, maintain and upon completion of the work, remove all traffic control devices and barricade lights within the construction influence area for the safety and protection of thru and local traffic. This includes, but is not limited to, advance, regulatory and warning signs, barricades, and channeling devices at the intersecting street on which traffic is to be maintained and all other traffic control devices required to maintain traffic as called for on the plans. The construction influence area (CIA) shall consist of the width of the project right of way from 2,600 feet before the project P.O.B. to 2,600 feet beyond the project. P.O.E., 500 feet in all directions along the cross roads, within the project limits.

TRAFFIC RESTRICTIONS

Traffic will be maintained using Lane Closures and Traffic Regulators.

All work for this project shall be performed during daylight hours. Night work will not be allowed.

Work will not be allowed on holiday weekends, including Labor Day and 4th of July, as directed by the engineer. Saturday work other than holiday weekends will be allowed.

BERRIEN COUNTY ROAD DEPARTMENTT

SPECIAL PROVISION FOR MAINTAINING TRAFFIC 2 OF 2

BCRC/BQB

01/25/17

PROJECT - GENERAL

Any utility trenches across all drives shall be maintained by the use of existing or salvaged materials and costs associated with this work included in Minor Traffic Devices.

Necessary emergency work performed by the County due to the negligence of the Contractor will be billed against the Contractor.

Walks, driveways and entrances to building shall not be unnecessarily blocked. Vehicular access shall be maintained to all properties, or as designated by the Engineer, at all times. Construction shall be completed in such a manner as to maintain the required entrance width for traffic at all times. When partial widths of new pavement are available to traffic, access to drives shall be provided immediately.

TRAFFIC CONTROL DEVICES

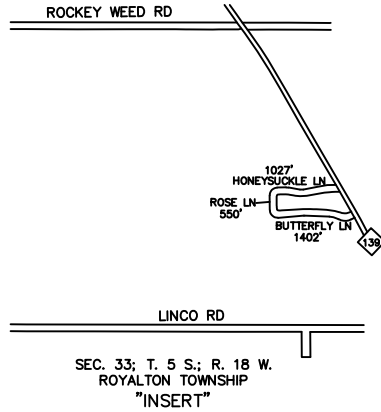
All traffic control devices and their usage shall be in accordance with provisions in the 2011 Edition, as amended, of the Michigan Manual of Uniform Traffic Control Devices (MMUTCD), as amended. All construction signs, unless otherwise noted, shall be 4' x 4', mounted at a bottom height of 5 feet and placed as indicated on the plans. When signs are no longer applicable, they shall be removed or have their legend completely covered with plywood or approved equal, if the posts are driven. Signs can no longer be mounted on Type III Barricades. Signs near Type III Barricades shall have separate supports.

Reflectorized strips are required on both sides when barricades are facing traffic in both directions.

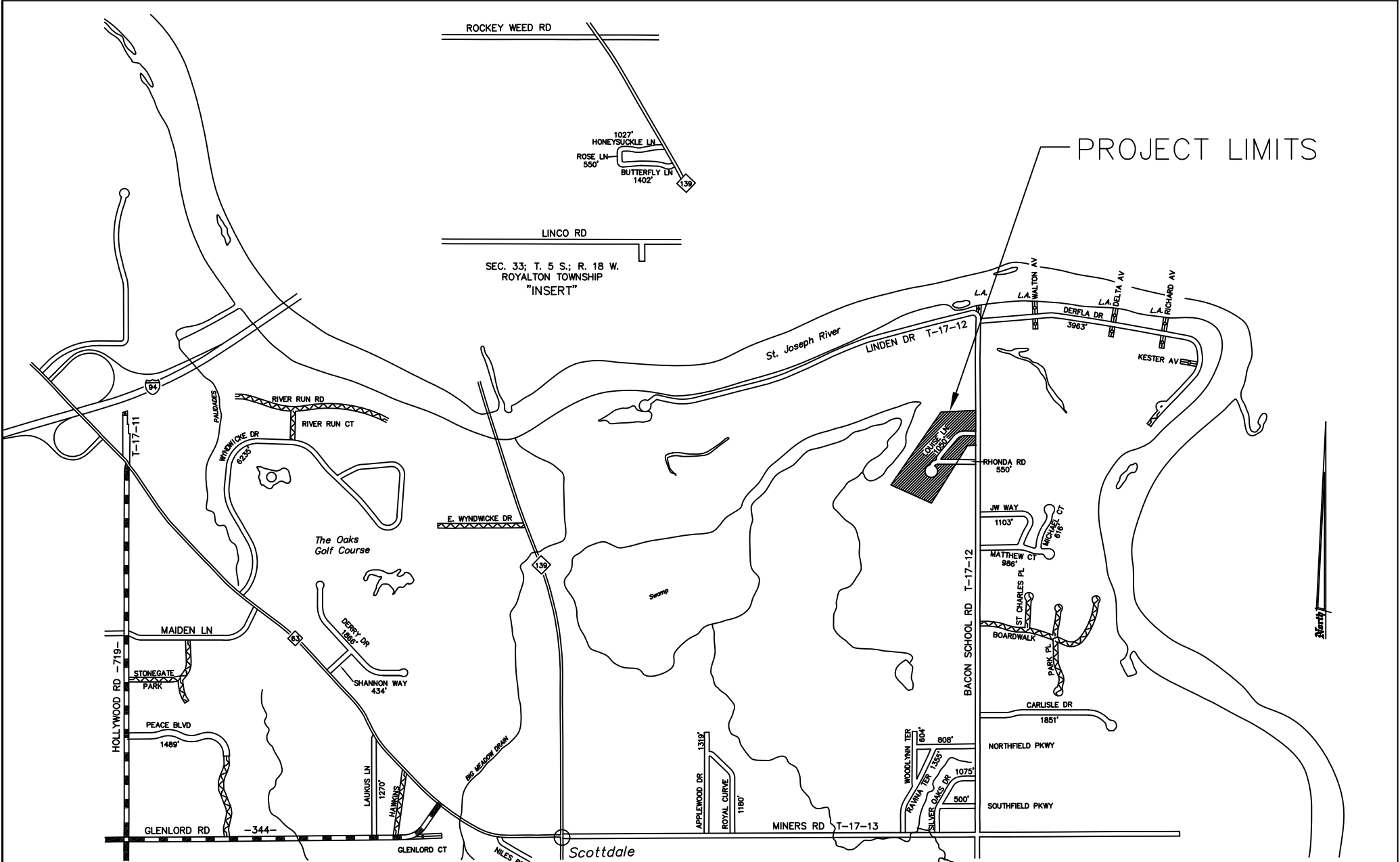
Channelizing devices shall be used to separate traffic from the work and if directed by the Engineer or shown on the plan sheets to separate opposing traffic lanes.

Plastic cones may be used as channelizing devices only during day light hours. If plastic cones are used, they shall be a minimum of 28 inches in height and placed as directed by the Engineer. Metal drums or metal barrels shall not be used as traffic control devices.

All traffic control devices shall meet Traffic Special Details WZD-125-E & WZD-100-A.



PROJECT LIMITS



LEGEND

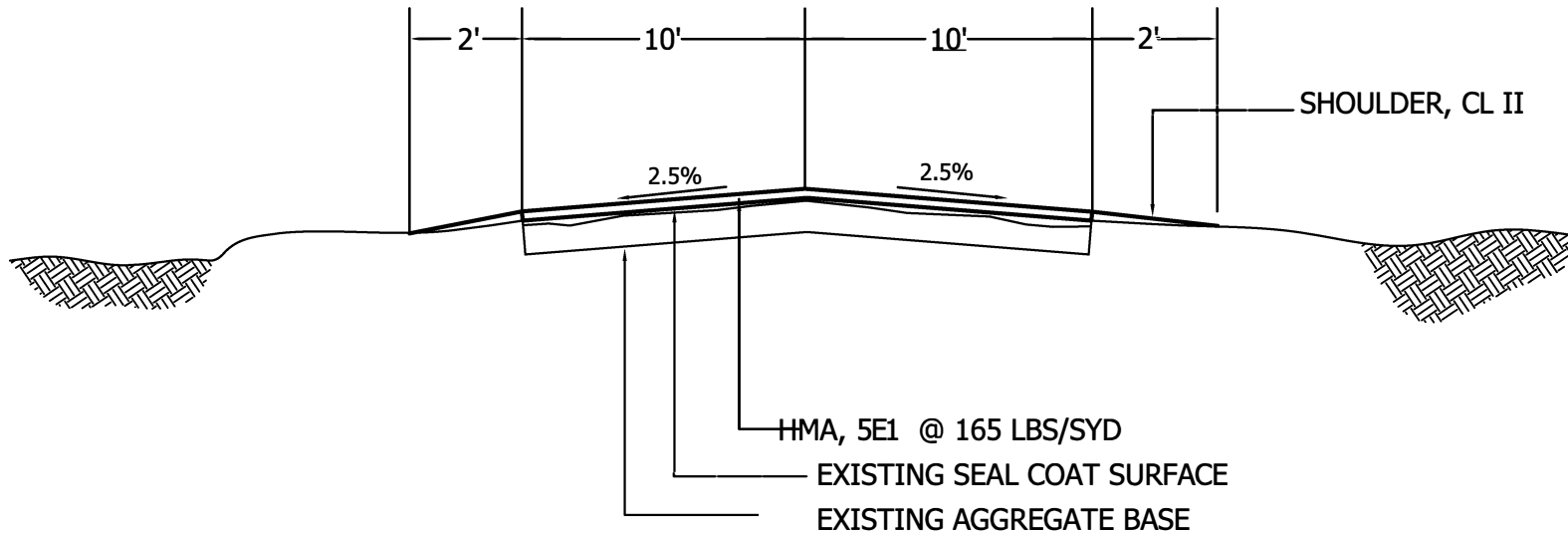
- INTERSTATE HIGHWAY
- STATE HIGHWAY
- COUNTY ROAD; PRIMARY SYSTEM
- COUNTY ROAD; LOCAL SYSTEM
- PRIVATE ROAD
- PUBLIC ROAD (NOT OPEN)
- ADJACENT COUNTY ROAD
- RAILROADS

ROYALTON TOWNSHIP

BERRIEN COUNTY
ROAD COMMISSION
BENTON HARBOR, MICHIGAN
BRIAN Q. BERNDT, COUNTY HWY ENGINEER

LOCAL ROAD SYSTEM TOTAL FEET 31,233 EQUALS 5.92 MILES

TYPICAL SECTION



LOUISE LN.

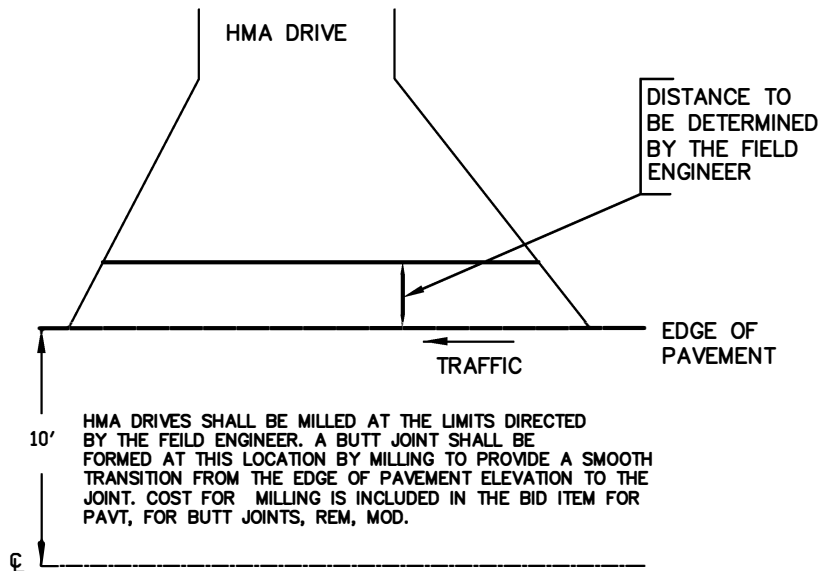
(BACON SCHOOL TO END)

STA. 0+00 - STA. 11+00

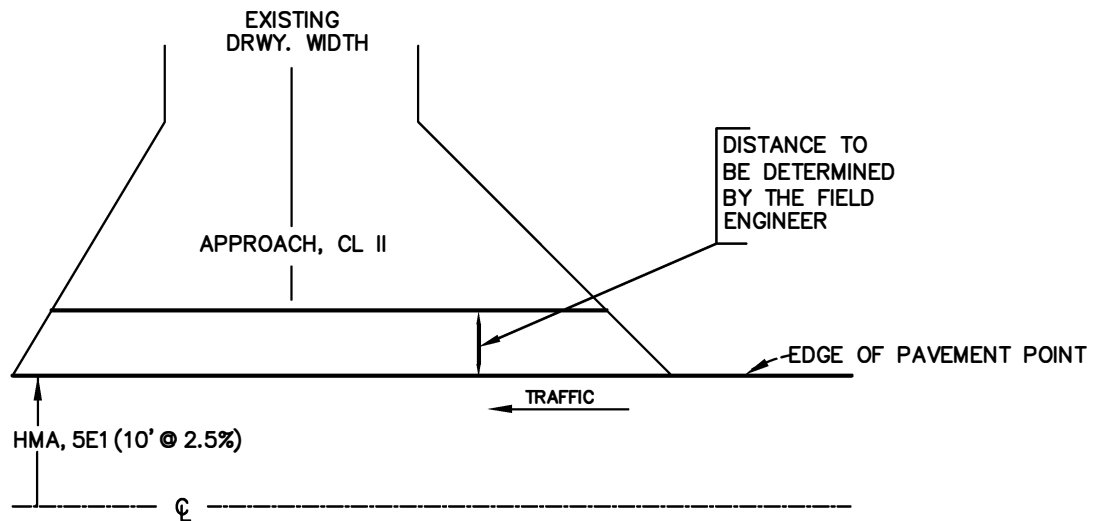
GENERAL NOTES: CLEANING OF EXISTING PAVEMENT PRIOR TO PAVING SHALL BE INCLUDED WITH HMA ITEMS

JOB NUMBER

PAGE



PAVED DRIVEWAY



UNPAVED DRIVEWAY

BERRIEN COUNTY ROAD DEPARTMENT

HOLD HARMLESS

This Agreement made this _____ day of _____, 20__ by and between the Berrien County Road Department and the Board of County Commissioners of the County of Berrien (hereinafter referred to as the BOARD) and _____ (hereinafter referred to as the CONTRACTOR).

Said Contractor hereby agrees to undertake the following work in the status of independent contractor performing the following operations:

LOUISE LANE HMA OVERLAY

Said Contractor shall at all times exercise extreme care and shall assume any and all liability for bodily injury, death or property damage arising out of the above stated operation or by anyone else acting in concert or under the control or direction of said Contractor, and will indemnify and hold harmless the Berrien County Road Department, its Commissioners, employees, attorneys and agents for any and all claims for bodily injury, death or property damage arising out of this agreement.

It is also agreed while engaged in such operation, that the Contractor shall maintain insurance, naming the Board of Berrien County Commissioners, the Berrien County Road Department; their Officers, Agents and Employees as an additional named insured with policy limits of:

Bodily Injury and Property Damage Liability:

Each Occurrence	\$1,000,000
Aggregate	\$2,000,000

Statutory Workmen's Compensation Insurance

Additionally said Contractor shall furnish to the Board a certificate of insurance providing above requested limits.

It is also agreed if the Board is involved in any litigation arising out of said operation, that the Contractor will indemnify and hold harmless the Board for any and all legal fees or cost incurred by the Board in defense of said Board.

WITNESSED BY:

Contractor

Berrien County Road Department

BERRIEN COUNTY ROAD DEPARTMENT

LOUISE LANE HMA OVERLAY

PROPOSAL

Date_____

Board of County Commissioners of the County of Berrien,
2860 E. Napier Avenue, Benton Harbor, Michigan 49022-0768

Gentlemen:

The undersigned has examined the plans, specifications, and location of the work described herein and is fully informed as to the nature of the work and the conditions relating to its performances and understands that the quantities shown in the estimate are approximate only and are subject to either increase or decrease; and hereby proposes to furnish all necessary machinery, tools, apparatus and other means of doing the work, do all the work, furnish all the materials except as otherwise specified herein, and, for the unit prices named in the accompanying unit price schedule, to complete the work in strict accordance with the plans and specifications therefore.

The undersigned further proposes to do such extra work as may be ordered by you, prices for which are not included in the itemized bid, compensation therefore to be made on the basis agreed upon before such extra work is begun.

The undersigned agrees to begin work within ten (10) days after being notified to do so, and to **complete all items of work WITHIN 5 WORKING DAYS AND BY OCTOBER 26, 2018.**

Signed_____

By_____

Post Office of Bidder_____

In case the bidder is a co-partnership, each member must sign this proposal.

In case the bidder is a Corporation this proposal must be executed by its duly authorized officials in accordance with its articles of incorporation and a certified copy of such articles must be attached hereto.

BERRIEN COUNTY ROAD DEPARTMENT LOUISE LANE HMA OVERLAY

2860 E. NAPIER AVENUE
BENTON HARBOR, MICHIGAN 49022
TELEPHONE 925-1196
TOLL FREE FROM 269 AREA 1-800-442-0734

ITEMIZED UNIT PRICE SCHEDULE

QUANTITY	ITEM OF WORK	UNIT PRICE BID	AMOUNT
1 LSUM	MOBILIZATION, MAX		
15 SYD	PAVT, REM		
10 TON	APPROACH, CL II		
45 TON	SHOULDER, CL II		
1 EA	DR. STRUCTURE COVER, ADJ, CASE 1		
225 TON	HMA, 5E1		
10 TON	HAND PATCHING		
15 TON	HMA APPROACH		
300 SYD	PAVT FOR BUTT JOINTS, REM, MOD		
1 LSUM	TRAF REGULATOR CONTROL		
1 LSUM	MINOR TRAF DEVICES		
128 SFT	SIGN, TYPE B, TEMP, PRISMATIC, FURN		
128 SFT	SIGN, TYPE B, TEMP, PRISMATIC, OPER		

TOTAL BID AMOUNT _____ \$ _____

SIGNED _____

BIDDER

DATE